



# LEVEL TRANSMITTER & FLOAT SWITCHES Enquiry Form

PLEASE COMPLETE AND  
FAX TO: **01322 285660**

**PHOTOCOPY THIS PAGE FOR RE-USE**

Customer: .....  
 Customer Ref: .....  
 Contact: .....  
 Tel. No: ..... Fax No: .....

**DUTY**

Qty of Transmitters/Switches .....  
 Fluid Description .....  
 Fluid S.G. ....  
 Interface  Range of SG's   
 Upper SG ..... Lower SG .....  
 Operating Pressure .....  
 Operating Temperature .....  
 Design Pressure .....  
 Design Temperature .....

**SPECIFICATIONS**

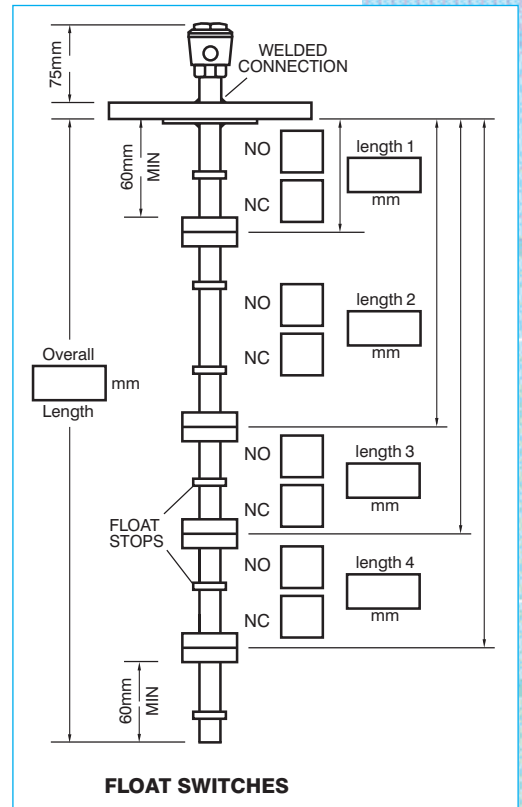
Flange Connection .....   
 Size and Rating .....  
 Screwed Connections .....   
 Thread Size .....  
 Vessel Depth .....  
 Effective Measuring Length .....

**ELECTRICAL REQUIREMENTS**

Switches .....   
 Number (1-4) .....  
 Transmitter .....   
 Resolution 20mm  10mm  5mm   
 Non Approved .....   
 Approved .....   
 Intrinsically Safe (EExia) .....   
 Explosion Proof (EExd) .....   
 Area Classification .....  
 Environmental Conditions .....(Temp etc)  
 Baragraph Indicator .....  
 Power Supply .....

**NOTES**

Please fill in the boxes provided



**FLOAT SWITCHES**  
 Operational Float Switch Positions  
 Specify S1-S4 Dimensions



03/04/2