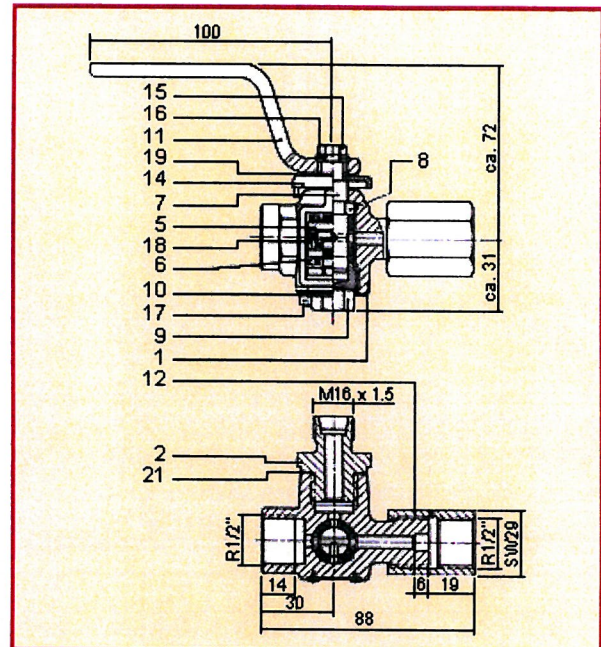


## KLINGER PRESSURE GAUGE COCKS

### Model MABAL 12 (PN 160)

#### 1- GENERAL

- PN 160
- DN 1/2"
- Material : steel (material code VIII)
- Three way pressure gauge shut-off cocks with female screwed ends to BSP and for Ermeto cutting ring connections to DIN 2353-S 10.
- Three way pressure gauge shut-off and control cock as cylinder cock, especially for differential pressure measurement at three measuring points.
- Stroke limited by handle/stop, position 90°C, sealed by elastic packing sleeve which can be retightened.
- Body made of steel.
- Cock handle made of GTW 35.
- Cock plug made of stainless and acid resistant special steel.

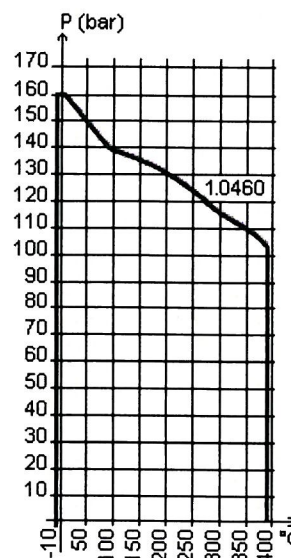


#### Part Material code VII

Part	Material code VII
1 Body	Carbon steel
2 Twin nipple	9SMn28K FeNi5p
5 Type plate	1.4301
6 Packing sleeve	KAF
7 Cock plug ABI	1.4401
8 Split ring	1.4401
9 Tightening nut	1.4401
10 Locking plate	1.4401
11 Cock handle	GTW 35 Zn 8-12 cC
12 Tightening screw	9SMn28K FeNi5p
14 Stop AB 12 left	1.4401
15 Hexagon head screw	A4
16 Washer	A4
17 Fillister head screw	A4
18 Metal tack	SS
19 Seeger circlip ring	1.4034
21 Gasket	Soft nickel

#### 2- SUGGESTED ORDER SPECIFICATION

MABAL 12 - VIII, PN 160



#### Further information

For further information, please send an E-mail to the following address: [instruments@tc-fluidcontrol.com](mailto:instruments@tc-fluidcontrol.com)  
 The characteristics of the products described on this page may be modified without notice, in the interests of regular improvement. In addition, the technical data reproduced here is provided for information only.