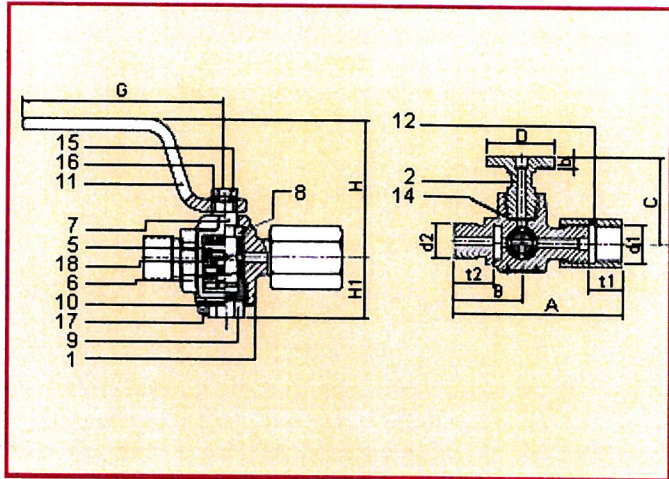


KLINGER PRESSURE GAUGE COCKS

Model MABE 12 (PN 160 or PN 40)

1- GENERAL

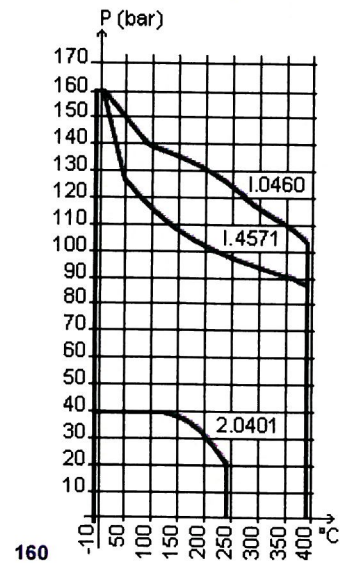
- **PN 160 :**
- DN 1/2"
- Material : steel (material code VIII), acid resistant steel (material code X)
- **PN 40 :**
- DN 1/2"
- Material : brass (material code IV)
- **Three-way pressure gauge shut-off cocks with female screwed ends, male screwed ends and test flanges.**
- **Female screwed ends and male screwed ends with pipe thread to BSP .**
- Three-way pressure gauge shut-off cock as cylinder cock with female screwed end, male screwed end and test flange ; sealed by elastic packing sleeve which can be retightened.
- Body made of brass, steel or acid resistant steel.
- Cock handle made of GTW 35.
- Cock plug made of stainless and acid resistant special steel.



Part	Material code		
	IV	VIII	X
1 Body	Ms 58 p	Carbon steel	1.4404/1.4571
2 Test flange 30	Ms 58 p	9SMn28K FeNi5p	9SMn28K FeNi5p
5 Type plate	1.4301	1.4301	1.4301
6 Packing sleeve	KAF	KAF	KAF
7 Cock plug	1.4401	1.4401	1.4401
8 Split ring	1.4401	1.4401	1.4401
9 Tightening nut	1.4401	1.4401	1.4401
10 Locking plate	1.4401	1.4401	1.4401
11 Cock handle	GTW 35 Zn 8-15 cC	GTW 35 Zn 8-15 cC	GTW 35 Zn 8-15 cC
12 Tightening screw	Ms58p	9SMn28K FeNi5p	9SMn28K FeNi5p
14 Gasket	Soft nickel	Soft nickel	Soft nickel
15 Hexagon head screw	A4	A4	A4
16 Washer	A4	A4	A4
17 Fillister head screw	A4	A4	A4
18 Metal tack	SS	SS	SS

2- SUGGESTED ORDER SPECIFICATION

MABE 12-VIII, PN



Overall and Connection dimensions in mm

Cock type	Bore mm	Overall dimensions					Connection dimensions				Test flange			Weight approx. Kg
		H	H1	A	B	G	d1	t1	d2	t2	D	b	C	
MABE 12	3	68	31	98	40	100	1/2" BSP	19	1/2" BSP	18	30	6	48	0.7

Further information

For further information, please send an E-mail to the following address: instruments@tc-fluidcontrol.com
 The characteristics of the products described on this page may be modified without notice, in the interests of regular improvement. In addition, the technical data reproduced here is provided for information only.