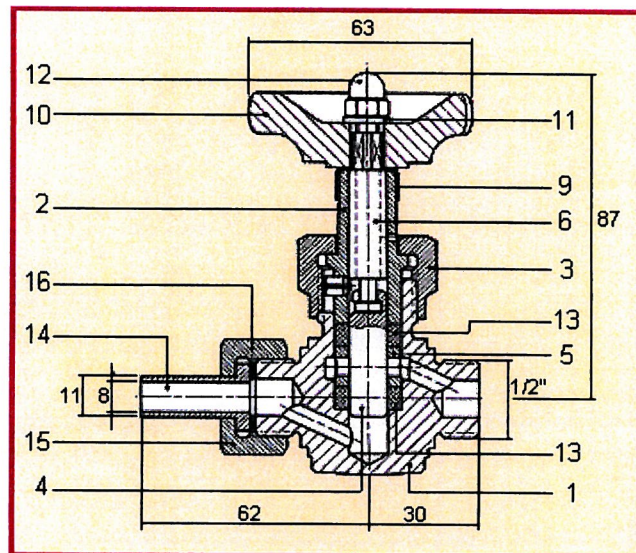


## KLINGER SHUT - OFF FITTINGS

### Model MKV 5 (PN 315)

#### 1- GENERAL

- PN 315
- DN 5
- Material : steel (material code FS / H)
  
- Overall length : Klinger standard
- Connection : 1/2" BSP
- Temperature : -40°C to +400°C
- Drain valve for gauge valve DVK-2



Part	Material
1 Body	1.0402
2 Bonnet	1.0715.07
3 Union nut	1.0715.07
4 Piston	1.4523
5 Latern bush	1.071507
6 Spindle	1.4104
9 Stroke indicator	1.4301
10 Handwheel	Synthetic
11 Washer	St
12 Cap nut	Ms gal
13 Set of valve rings	Graphite
14 End tube	St
15 Union nut	1.071507
16 Gasket	K-Sil

#### Further information

For further information, please send an E-mail to the following address: [instruments@tc-fluidcontrol.com](mailto:instruments@tc-fluidcontrol.com)  
 The characteristics of the products described on this page may be modified without notice, in the interests of regular improvement. In addition, the technical data reproduced here is provided for information only.