

# FLOAT OPERATED LEVEL SWITCH - CHAMBER TYPE

## Side - bottom connection / 1 reed contact set point

**MIP model NA35**

### 1- GENERAL

- Low cost model
- Compact
- Light
- Short delivery time
- One piece 100% welded chamber
- Total air tightness
- For use with fugitive, toxic, contaminated fluids

### 2- TECHNICAL DATA

Pressure : ISO PN 20 - ANSI 150  
 Temperature : - 50°C / + 150°C  
 Specific gravity : 0,60 to 1,0  
 Hysteresis (d=1) : 6 mm  
 Weight : 4 kg  
 Set point : 30 mm under side connection

### 3- ELECTRICAL SPECIFICATIONS

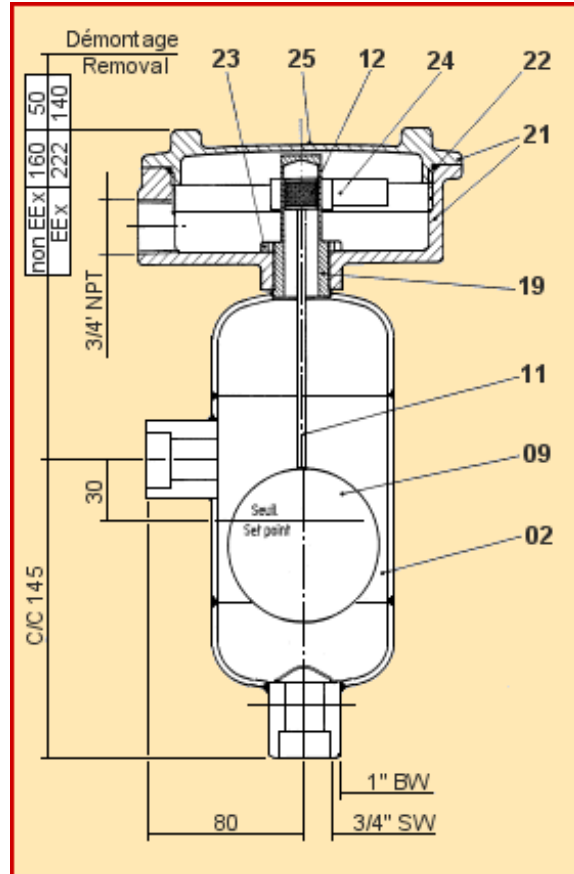
Electric mechanism :  
 Type MS11C : SPDT reed switch.

#### INTERRUPTING CAPACITY WITH RESISTIVE LOAD

48 V~	1,25 A
110 V~	0,50 A
110 V~	0,70 A
220 V~	0,35 A

- Electric housing : - aluminium alloy  
 - epoxy coated  
 - screwed housing  
 - sealing : EPR o-ring  
 - cable entry : 3/4" NPT

- 3 versions available :  
 - STD weather proof IP 667  
 - ADF explosion proof EEx d IIC T6 + IP 667  
 - SI intrinsically safe EEx ia IIC T6 + IP 667



ITEM	DESIGNATION
2	Chamber
9	Float
11	Stem
12	Magnetic sleeve
19	Adapter
21	Housing
22	O-ring
23	Nut
24	SPDT reed switch
25	Name plate