

# FLOAT OPERATED LEVEL SWITCH - CHAMBER TYPE

## Side - side connection / 1 to 4 set point

**MIP model NA40**

### 1- GENERAL

- Side - side connection
- Centre to centre up to 1500 mm
- 1 to 4 set points
- Maximum spacing between each switch point HH and LL :  
 310 mm with EEx d or IS housing  
 500 mm with weather proof housing
- Minimum spacing between switch points in the same way :  
 10 mm with MS11B mechanism  
 40 mm with MG and MCOS mechanism
- Manufacturing delivery

### 2- TECHNICAL DATA

**Pressure :** ISO PN 100 - ANSI 600  
**Temperature :** - 40° to + 150°C MS11B mechanism  
 - 40° to + 300°C MG3T & MCOS mechanisms  
**Specific gravity :** 0,5 minimum  
**Hysteresis (d=1) :** 6 mm with mechanism MS11B  
 20 mm with mechanism MG3T & MCOS mechanisms

### 3- ELECTRICAL SPECIFICATIONS

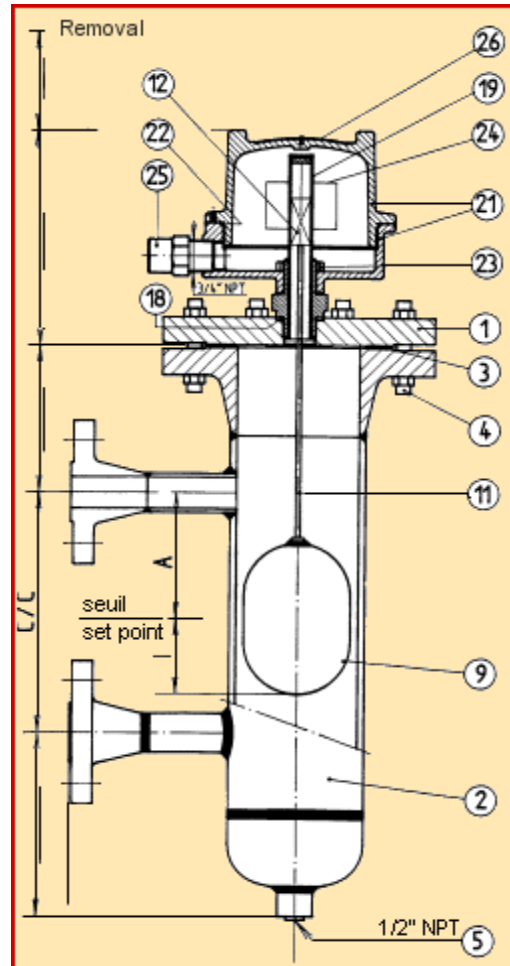
**Electric mechanism :**  
 Type MS11B : SPDT reed switch  
 Type MG3T : SPDT standard switch sealed Nitrogen atmosphere  
 Type MCOS : SPDT mercury switch

#### INTERRUPTING CAPACITY WITH RESISTIVE LOAD

	MS11B	MG3T	MCOS
48 V-	1,25 A	3 A	10 A
110 V-	0,50 A	1 A	10 A
110 V~	0,70 A	5 A	10 A
220 V~	0,35 A	2,5 A	5 A

**Electric housing :** - aluminium alloy  
 - epoxy coated  
 - screwed casing  
 - sealing : EPR o-ring  
 - cable entry : 3/4" NPT

3 versions available :  
 - STD weather proof IP 667  
 - ADF explosion proof EEx d IIC T6 + IP 667  
 - SI intrinsically safe EEx ia IIC T6 + IP 667



ITEM	DESIGNATION
1	Cover
2	Chamber
3	Chamber gasket
4	Bolt
5	Drain plug
9	Float
11	Stem
12	Magnetic sleeve
18	Adapter gasket
19	Adapter
21	Housing
22	O-ring
23	Nut
24	Electrical mechanism
25	Cable gland
26	Name plate