

# FLOAT OPERATED LEVEL SWITCH - CHAMBER TYPE

## Side - side connection / 1 set point

**MIP model NA40F**

### 1- GENERAL

- Low cost model
- Compact
- Light
- Short delivery time

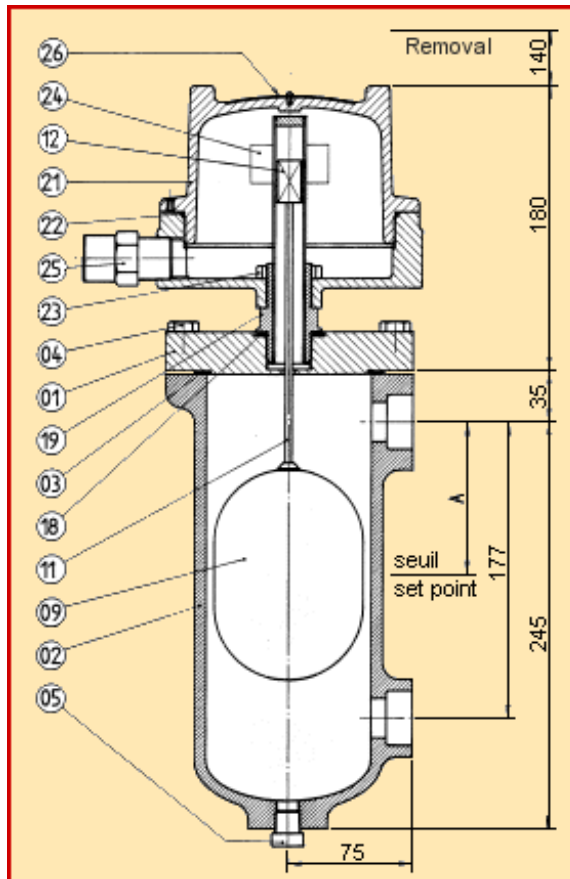
### 2- TECHNICAL DATA

**Pressure :** ISO PN 50 - ANSI 300  
**Temperature :** carbon steel - 10° to + 250°C  
 stainless steel - 40° to + 250°C  
 limited to 150°C with reed contact MS11B  
**Specific gravity :** 0,42 to 1,1 with MS11B  
 0,70 to 1,1 with MG3T and MCOS  
**Hysteresis (d=1) :** 6 mm with mechanism MS11B  
 20 mm with mechanism MG3T and MCOS  
**Weight :** 20 kg  
**Set point :** 88 mm under side connection

**SPECIAL MODELS :** connecting flanges

### 3- ELECTRICAL SPECIFICATIONS

**Electric mechanism :**  
 Type MS11B : SPDT reed switch (ILS)  
 Type MG3T : SPDT standard switch sealed Nitrogen atmosphere  
 Type MCOS : SPDT mercury switch



#### INTERRUPTING CAPACITY WITH RESISTIVE LOAD

	MS11B	MG3T	MCOS
48 V-	1,25 A	3 A	10 A
110 V-	0,50 A	1 A	10 A
110 V~	0,70 A	5 A	10 A
220 V~	0,35 A	2,5 A	5 A

**Electric housing :** - aluminium alloy  
 - epoxy coated  
 - screwed casing  
 - sealing : EPR o-ring  
 - cable entry : 3/4" NPT

3 versions available :

- STD weather proof IP 667
- ADF explosion proof EEx d IIC T6 + IP 667
- SI intrinsically safe EEx ia IIC T6 + IP 667 (except mcos)

ITEM	DESIGNATION
1	Cover
2	Chamber
3	Chamber gasket
4	H M12-40 screw
5	Drain plug
9	Float
11	Stem
12	Magnetic sleeve
18	Adapter gasket
19	Adapter
21	Housing
22	O-ring
23	Nut
24	Electrical mechanism
25	Cable gland
26	Name plate

For further information, please send an E-mail to the following address: [instruments@tc-fluidcontrol.com](mailto:instruments@tc-fluidcontrol.com)

The characteristics of the products described on this page may be modified without notice, in the interests of regular improvement. In addition, the technical data reproduced here is provided for information only.