

FLOAT OPERATED LEVEL SWITCH - CHAMBER TYPE

Side - bottom connection 1 to 4 set points

MIP TYPE NA 45

1 - GENERAL

- Side - bottom connection
- Center to center up to 1500 mm
- 1 to 4 set points
- Maximum spacing between each switch point HH and LL :
 310 mm with EEx d or IS housing
 500 mm with weather proof housing
- Minimum spacing between switch points in the same way :
 10 mm with MS11B mechanism
 40 mm with MG and MCOS mechanism
- Manufacturing delivery

2 - TECHNICAL DATA

- Pressure : ISO PN 100 - ANSI 600
 Temperature : -40 to +150° C MS11B mechanism
 -40 to +300° C MG3T & MCOS mechanisms
 Specific gravity : 0,5 minimum
- Hysteresis (d=1) : 6 mm with MS11B mechanism
 20 mm with MG3T & MCOS mechanisms

3 - ELECTRICAL SPECIFICATIONS

- Electrical mechanism :
- Type MS11B : SPDT reed switch
 - Type MG3T : SPDT standard switch sealed Nitrogen atmosphere
 - Type MCOS : SPDT mercury switch

INTERRUPTING CAPACITY WITH RESISTIVE LOAD

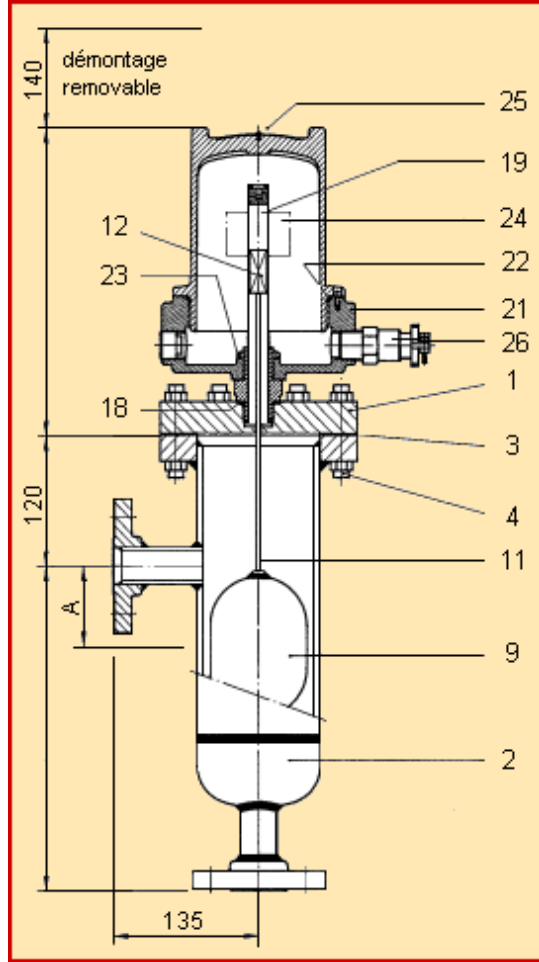
	MS11B	MG3T	MCOS
48 V-	1,25 A	3 A	10 A
110 V-	0,50 A	1 A	10 A
110 V~	0,70 A	5 A	10 A
220 V~	0,35 A	2,50 A	5 A

Electric housing :

- aluminium alloy
- epoxy coated
- Screwed casing
- Sealing : EPR O-ring
- Cable entry 3/4" NPT

3 versions available :

- STD weather proof IP667
- ADF explosion proof EEx d IIC T6 + IP667
- SI intrinsically safe EEx ia IIC T6 + IP667



ITEM	DESIGNATION
1	Cover
2	Chamber
3	Chamber gasket
4	Bolt
9	Float
11	Stem
12	Magnetic sleeve
18	Adapter gasket
19	Adapter
21	Housing
22	Housing gasket
23	Nut
24	Electric mechanism
25	Name plate
26	Cable gland

For further information, please send an E-mail to the following address: instruments@tc-fluidcontrol.com

The characteristics of the products described on this page may be modified without notice, in the interests of regular improvement. In addition, the technical data reproduced here is provided for information only.