

FLOAT OPERATED LEVEL SWITCH - CHAMBER TYPE

Side - bottom connection / 1 set point

MIP model NA45F

1- GENERAL

- Low cost model
- Compact
- Short delivery time

2- TECHNICAL DATA

Pressure : ISO PN 20 - ANSI 150
 Temperature : carbon steel - 10° to + 250°C
 stainless steel - 40° to + 250°C
 limited to 150°C with reed contact MS11B
 Specific gravity : 0,8 to 1,1
 Hysteresis (d=1) : 6 mm with mechanism MS11B
 20 mm with mechanism MG3T and MCOS
 Weight : 14 kg
 Set point : 40 mm under side connection

3- ELECTRICAL SPECIFICATIONS

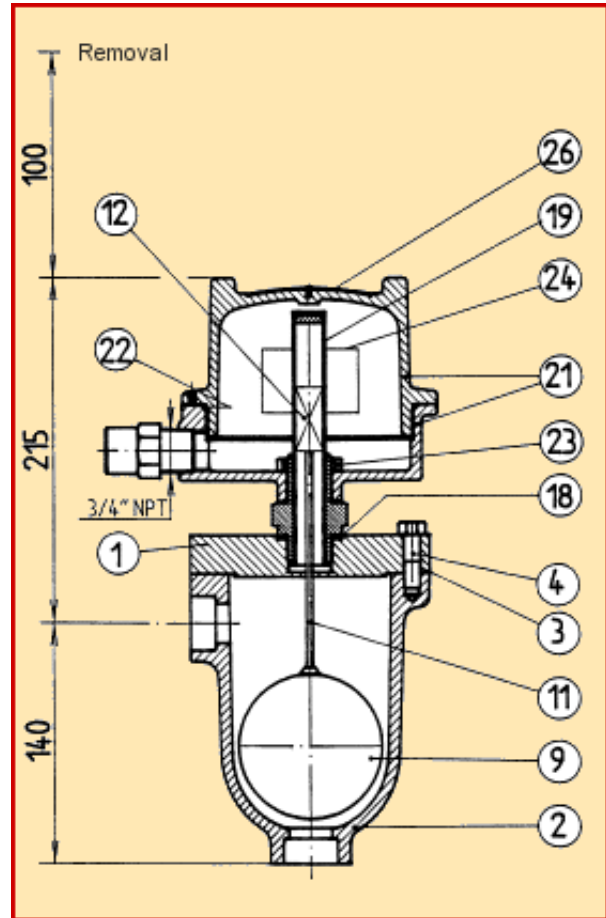
Electric mechanism :
 Type MS11B : SPDT reed switch
 Type MG3T : SPDT standard switch sealed Nitrogen atmosphere
 Type MCOS : SPDT mercury switch

INTERRUPTING CAPACITY WITH RESISTIVE LOAD

	MS11B	MG3T	MCOS
48 V-	1,25 A	3 A	10 A
110 V-	0,50 A	1 A	10 A
110 V~	0,70 A	5 A	10 A
220 V~	0,35 A	2,5 A	5 A

Electric housing : - aluminium alloy
 - epoxy coated
 - screwed casing
 - sealing : EPR o-ring
 - cable entry : 3/4" NPT

3 versions available :
 - STD weather proof IP 667
 - ADF explosion proof EEx d IIC T6 + IP 667
 - SI intrinsically safe EEx ia IIC T6 + IP 667



ITEM	DESIGNATION
1	Cover
2	Chamber
3	Chamber gasket
4	H M12-40 screw
9	Float
11	Stem
12	Magnetic sleeve
18	Adapter gasket
19	Adapter
21	Housing
22	O-ring
23	Nut
24	SPDT Electrical mechanism
26	Name plate