

FLOAT OPERATED LEVEL SWITCH

screwed or flanged side mounting / 1 reed contact set point

MIP model NALR

1- GENERAL

- Side mounting on a tank
- Screwed or flanged connection
- Compact and light model
- Suitable for high temperature
- Short delivery time

Principle : sudden change of state by repulsion between two magnetic rocking arms separated by a non magnetic wall .

2- TECHNICAL DATA

Pressure : ISO PN 50 - ANSI 300

Temperature : - 40° to + 250°C

Specific gravity : 0,70 to 1,1

Weight : 3 kg screwed 2" NPT

14 kg flanged DN100 PN50

SPECIAL MODELS : up to PN250, -100°C, d = 0,45

3- ELECTRICAL SPECIFICATIONS

Electric mechanism :

Type MSR : SPDT reed switch

DPDT on request

INTERRUPTING CAPACITY WITH RESISTIVE LOAD

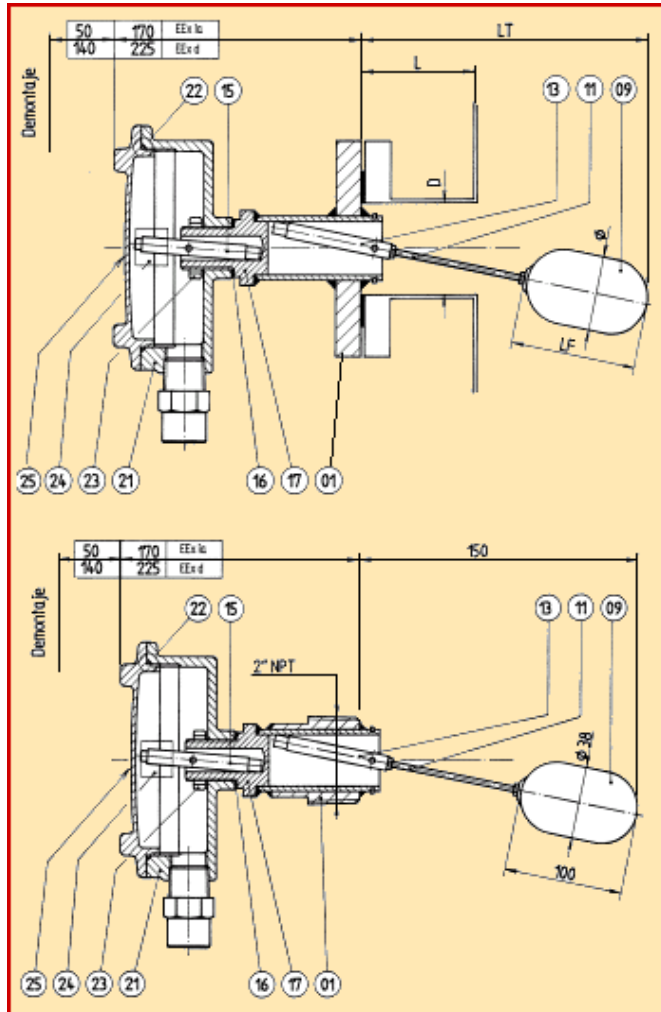
48 V-	1,25 A
110 V-	0,50 A
110 V~	0,70 A
220 V~	0,35 A

Electric housing : - aluminium alloy

- epoxy coated
- screwed housing
- sealing : EPR o-ring
- cable entry : 3/4" NPT

3 versions available :

- STD weather proof IP 667
- ADF explosion proof EEx d IIC T6 + IP 667
- SI intrinsically safe EEx ia IIC T6 + IP 667



ITEM	DESIGNATION
1	Screwed or flanged connect.
9	Float
11	Stem
13	Chamber rocking arm
15	Housing rocking arm
16	Adapter gasket
17	Adapter
21	Housing
22	O-ring
23	Nut
24	SPDT reed switch
25	Name plate

For further information, please send an E-mail to the following address: instruments@tc-fluidcontrol.com

The characteristics of the products described on this page may be modified without notice, in the interests of regular improvement. In addition, the technical data reproduced here is provided for information only.