

For further information, please send an E-mail to the following address: instruments@tc-fluidcontrol.com
The characteristics of the products described on this page may be modified without notice, in the interests of regular improvement. In addition, the technical data reproduced here is provided for information only.
Réf: 70F/N104-An-11/2001

3 versions available :
- STD weather proof IP 667
- ADF explosion proof EX d IIC T6 + IP 667
- SI intrinsically safe EX ia IIC T6 + IP 667

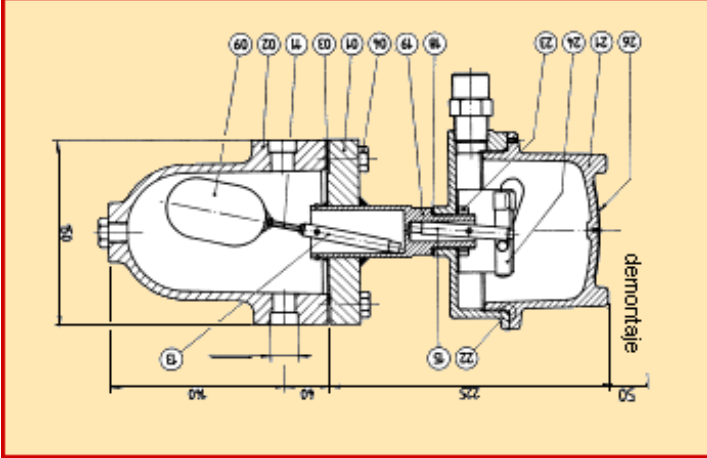
Electric housing : - aluminium alloy
- epoxy coated
- screwed housing
- sealing : EPR o-ring
- cable entry : 3/4" NPT

INTERRUPTING CAPACITY WITH RESISTIVE LOAD
48 V- 1,25 A
110 V- 0,50 A
110 V~ 0,70 A
220 V~ 0,35 A

Electric mechanism : MSR : SPDT reed contact
DPDT on request.

3- ELECTRICAL SPECIFICATIONS

ITEM	DESIGNATION
1	Cover
2	Chamber
3	Chamber gasket
4	H M12-40 screw
9	Float
11	Stem
13	Chamber rocking arm
15	Housing rocking arm
18	Adapter gasket
19	Adapter
21	Housing
22	O-ring
23	Nut
24	SPDT reed contact
26	Name plate



Pressure : ISO PN 50 - ANSI 300
Temperature : carbon steel version - 10 to + 250° C
stainless st. version - 40 to + 250° C
Density : 0,70 to 1,1
Weight : 14 kg
SPECIAL MODELS : welded construction
up to PN 250, -100° C, d = 0,45

2- TECHNICAL DATA

Principle : sudden change of state by repulsion between two magnetic rocking arms separated by a non magnetic wall .

- SW or NPT top / bottom connection
- Compact and light
- Suitable for high temperature
- Short delivery time

1- GENERAL

FLOAT OPERATED LEVEL SWITCH - CHAMBER TYPE top - bottom connection / 1 reed contact set point

MIP model NALRF



TC Fluid Control Ltd
Valves & Steam +44 (0) 161 684 7488 Instrumentation +44 (0) 1322 622 400
www.ktc-fluidcontrol.com

