



TC Fluid Control Ltd
 Valves & Steam +44 (0) 161 684 7488 Instrumentation +44 (0) 1322 622 400
 www.ktc-fluidcontrol.com



FLOAT OPERATED LEVEL SWITCH - CHAMBER TYPE

Top - bottom connection / 1 reed set point

MIP TYPE NALRC

1 - GENERAL

- SW or NPT top / bottom connection
- Compact welded chamber
- Suitable for high temperature/pressure
- Manufacturing delivery time

Principle : sudden change of state by repulsion between two magnetic rocking arms separated by a non magnetic wall.

2 - TECHNICAL DATA

Pressure : ISO PN 50 to PN 250

Temperature : carbon steel version - 10 à + 250° C
 stainless st, version - 100 à + 250° C

Density : mini 0,45

Weight : 14-25 kg according version

3 - ELECTRICAL SPECIFICATIONS

Electric mechanism :
 MSR : SPDT reed contact
 DPDT on request.

INTERRUPTING CAPACITY WITH RESISTIVE LOAD

48 V-	1,25 A
110 V-	0,50 A
110 V~	0,70 A
220 V~	0,35 A

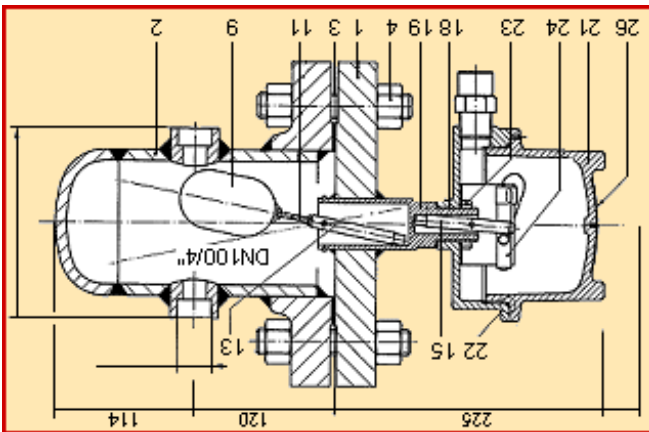
Electric housing :

- aluminium alloy
- epoxy coated
- screwed casing
- sealing : EPR o-ring
- cable entry 3/4" NPT

3 versions available :

- STD weather proof IP67
- ADF explosion proof EX d IIC T6 + IP67
- SI intrinsically safe EX ia IIC T6 + IP67

ITEM	DESIGNATION
1	Flange
2	Chamber
3	Chamber gasket
4	Boit
9	Float
11	Stem
13	Rocker assy
15	Rocker assy
18	Adapter gasket
19	Adapter
21	Housing
22	Housing gasket
23	Nut
24	Reed switch
26	Name plate



For further information, please send an E-mail to the following address: instruments@tc-fluidcontrol.com
 The characteristics of the products described on this page may be modified without notice, in the interests of regular improvement. In addition, the technical data reproduced here is provided for information only.
 Ref: 70FIT115-An-06/2001