

FLOAT OPERATED LEVEL SWITCH - CHAMBER TYPE

top - bottom connection / 1 reed contact set point

MIP model NALRF

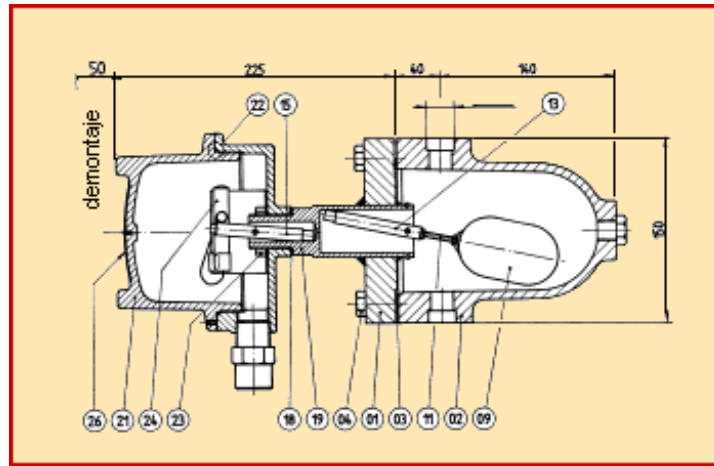
1- GENERAL

- SW or NPT top / bottom connection
- Compact and light
- Suitable for high temperature
- Short delivery time

Principle : sudden change of state by repulsion between two magnetic rocking arms separated by a non magnetic wall .

2- TECHNICAL DATA

Pressure : ISO PN 50 - ANSI 300
 Temperature :carbon steel version - 10 to + 250° C
 stainless st, version - 40 to + 250° C
 Density : 0,70 to 1,1
 Weight : 14 kg
 SPECIAL MODELS : welded construction up to PN 250, -100°C, d = 0,45



3- ELECTRICAL SPECIFICATIONS

Electric mechanism :
 MSR : SPDT reed contact
 DPDT on request.

INTERRUPTING CAPACITY WITH RESISTIVE LOAD

48 V-	1,25 A
110 V-	0,50 A
110 V~	0,70 A
220 V~	0,35 A

Electric housing : - aluminium alloy
 - epoxy coated
 - screwed housing
 - sealing : EPR o-ring
 - cable entry : 3/4" NPT

3 versions available :
 - STD weather proof IP 667
 - ADF explosion proof EEx d IIC T6 + IP 667
 - SI intrinsicaly safe EEx ia IIC T6 + IP 667

ITEM	DESIGNATION
1	Cover
2	Chamber
3	Chamber gasket
4	H M12-40 screw
9	Float
11	Stem
13	Chamber rocking arm
15	Housing rocking arm
18	Adapter gasket
19	Adapter
21	Housing
22	O-ring
23	Nut
24	SPDT reed contact
26	Name plate