

FLOAT OPERATED LEVEL SWITCH TOP MOUNTING 1 to 2 setpoints

MIP TYPE NAT 34 and NAT 40

1 - GENERAL

- Top mounting on a tank (screwed or flanged)
- Easy use
- Few maintenance
- Short delivery time

2 - TECHNICAL DATA

Pressure : ISO PN 10 to 50 - ANSI 150 to 300

Temperature : carbon steel - 10° à + 250°C

 stainless steel - 40° à + 250°C

 limited to 150°C with reed contact

MS11B

Specific gravity : 0,42 to 1,1 with MS11B

 0,70 to 1,1 with MG3T and MCOS

Hysteresis (d=1) 6 mm with mechanism MS11B

 20 mm with mechanism MG3T et

MCOS

Weight : 10 to 15 kg (according configuration)

Note : For NA 34 model only : float has to be screwed on the rod from the inside of the tank .

3 - ELECTRICAL SPECIFICATIONS

Electrical mechanism :

Type MS11B : SPDT reed switch (ILS)

Type MG3T : SPDT standard switch sealed Nitrogen atmosphere

Type MCOS : SPDT mercury switch

INTERRUPTING CAPACITY WITH RESISTIVE LOAD

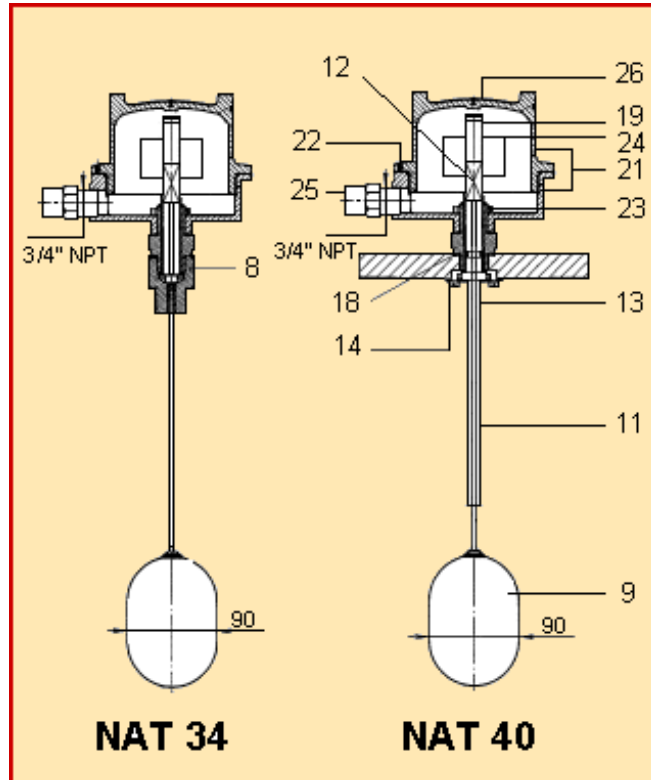
	MS11B	MG3T	MCOS
48 V-	1,25 A	3 A	10 A
110 V-	0,50 A	1 A	10 A
110 V~	0,70 A	5 A	10 A
220 V~	0,35 A	2,50 A	5 A

Electric housing :

- aluminium alloy
- epoxy coated
- screwed casing
- sealing : EPR o-ring
- cable entry 3/4" NPT

3 versions available :

- STD weather proof IP667
- ADF explosion proof EEx d IIC T6 + IP667
- SI intrinsically safe EEx ia IIC T6 + IP667 (except MCOS)



ITEM	DESIGNATION
8	Screwed connection
9	Float
11	Stem
12	Magnetic sleeve
13	Guiding tube *
14	CM6 screw
18	Adapter gasket
19	Adapter
21	Housing
22	O-ring
23	Nut
24	Electric mechanism
25	Cable gland
26	Name plate

* to be replaced by a guiding cage if height > 1200 mm

For further information, please send an E-mail to the following address: instruments@tc-fluidcontrol.com

The characteristics of the products described on this page may be modified without notice, in the interests of regular improvement. In addition, the technical data reproduced here is provided for information only.