

DISPLACER OPERATED LEVEL SWITCH - TOP MOUNTING

1 to 4 reed switch mechanism

MIP model NATD

1- GENERAL

- Top connection on a vessel
- For tanks with height up to 20 m
- Up to 4 reed switch mechanism for each equipment
- Easy adjustment by changing the position of the displacers
- For high pressures and temperatures
- Short delivery time

2- TECHNICAL DATA

Pressure : ISO PN 100 - ANSI 600
 Temperature : carbon steel version - 10 à + 170° C
 stainless st, version - 40 à + 170° C
 Specific gravity : 0,5 to 1,2
 Weight : 18 kg for DN100 PN50 version with
 4 switches

SPECIAL MODELS :

up to ISO PN420 with reinforced displacers
 up to 300°C with high temperature switches

3- ELECTRICAL SPECIFICATIONS

Electric mechanism :
 Type MS11B : SPDT reed switch
 rhodium switch sealed under controlled atmosphere
 (DPDT on request)

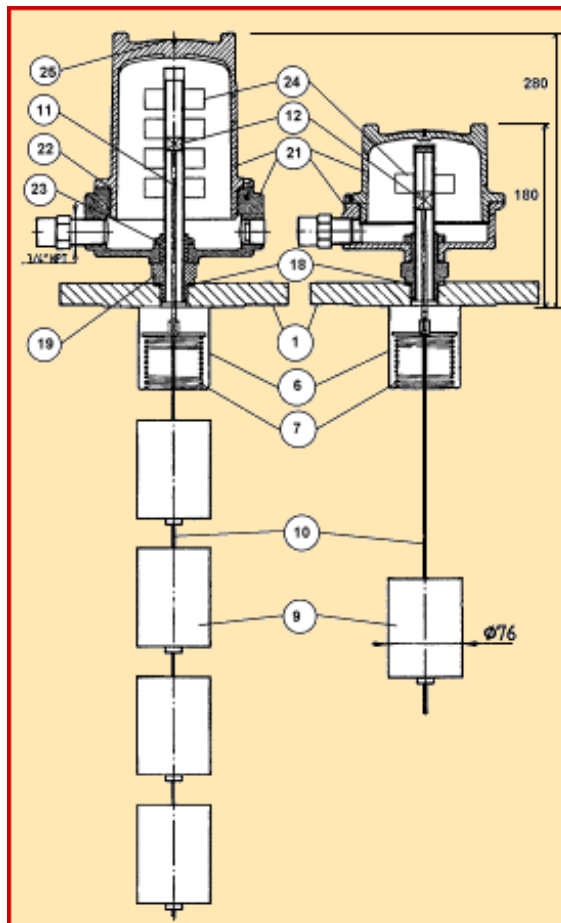
INTERRUPTING CAPACITY WITH RESISTIVE LOAD

48 V-	1,25 A
110 V-	0,50 A
110 V~	0,70 A
220 V~	0,35 A

Electric housing : - aluminium alloy
 - epoxy coated
 - screwed housing
 - sealing : EPR o-ring
 - cable entry : 3/4" NPT

3 versions available :

- STD weather proof IP 667
- ADF explosion proof EEx d IIC T6 + IP 667
- SI intrinsically safe EEx ia IIC T6 + IP 667



ITEM	DESIGNATION
1	Flange
6	Spring housing
7	Spring
9	Displacer
10	S.S cable
11	Stem
12	Magnetic sleeve
18	Adapter gasket
19	Adapter
21	Housing
22	O-ring
23	Nut
24	Electric mechanism
25	Name plate

For further information, please send an E-mail to the following address: instruments@tc-fluidcontrol.com

The characteristics of the products described on this page may be modified without notice, in the interests of regular improvement. In addition, the technical data reproduced here is provided for information only.