

# DISPLACER OPERATED LEVEL SWITCH FOR TANKS WITH FLOATING ROOF One reed switch mechanism

## MIP TYPE NATP

### 1 - GENERAL

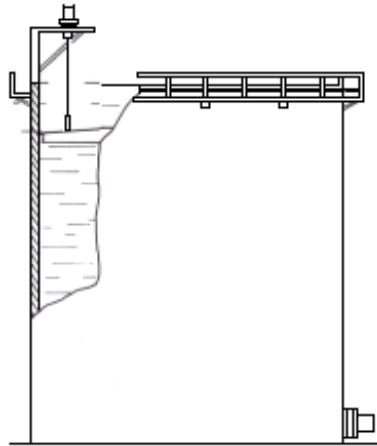
- Use on tanks with floating roof.
- Brings an additional and independent safety in the control of the high level of tanks with floating roof

### 2 - PRINCIPE

A mass suspended by a cable compresses a spring through a mobile equipment.

When the floating roof contacts the mass, the spring slackens, acts upon the attraction sleeve stem which actuates the switch.

The mass is equipped by a tripod which avoid ice locking.



### 3 - ELECTRICAL SPECIFICATIONS

Electric mechanism :

Type MS11B :

- SPDT reed switch
- rhodium switch sealed under controlled atmosphere
- ( DPDT on request)

#### INTERRUPTING CAPACITY WITH RESISTIVE LOAD

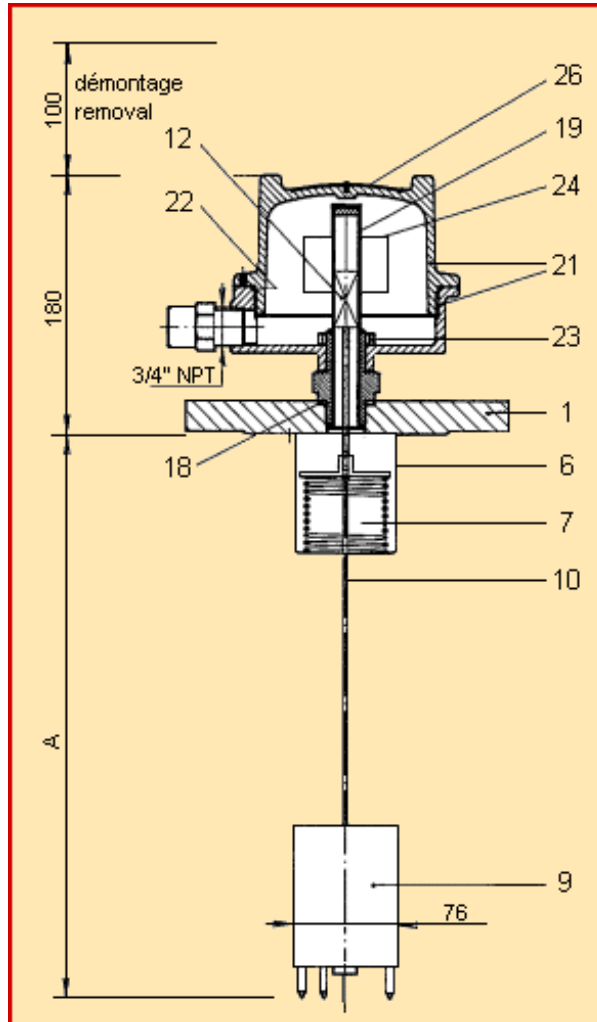
<b>48 V</b>	1,25 A
<b>110 V</b>	0,50 A
<b>110 V</b>	0,70 A
<b>220 V</b>	0,35 A

Electric housing :

- aluminium alloy
- epoxy coated
- screwed casing
- sealing : EPR o-ring
- cable entry 3/4" NPT

3 versions available :

- STD weather proof IP667
- ADF explosion proof EEx d IIC T6 + IP667
- SI intrinsically safe EEx ia IIC T6 + IP667



ITEM	DESIGNATION
1	Flange
6	Spring housing
7	Spring
9	Displacer
10	S.S cable
12	Magnetic sleeve
18	Adapter gasket
19	Adapter
21	Housing
22	O-ring
23	Nut
24	Electric mechanism
26	Name plate

For further information, please send an E-mail to the following address: [instruments@tc-fluidcontrol.com](mailto:instruments@tc-fluidcontrol.com)

The characteristics of the products described on this page may be modified without notice, in the interests of regular improvement. In addition, the technical data reproduced here is provided for information only.