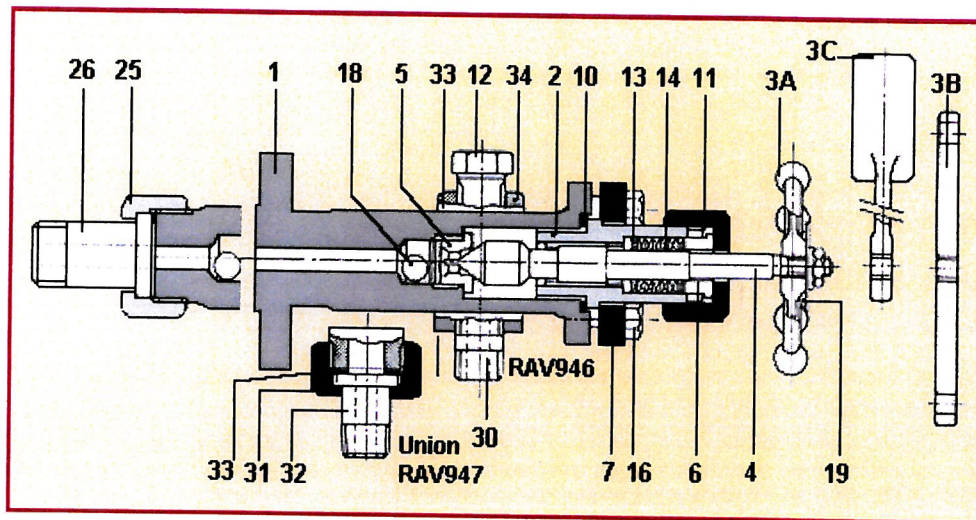


KLINGER Level gauge valves

RAV 946, RAV 947 (Inside screwed)



1 GENERAL

- The RAV shut-off device is a metal seated offset valve with integral safety ball.
- Available in a variety of options.
- Suitable for most process requirements.
- Inside screwed.

2 CONSTRUCTION

2.1 Shut-off operation :

- Standard handwheel operation / 1 - Std (ANSI 1500).
- Weighted lever / 2 - 168° (ANSI 900).
- Double ended lever / 3 - 90° (ANSI 900).
- Quick closing handwheel / 5 - 168° (ANSI 900)

2.2 Gauge connection :

Union, spherical union or plain nipple to gauge, 1/2" standard (3/4" optional).

2.3 Vessel connections :

- Flanged 1/2", 3/4", 1" ANSI Class 150, 300, 600, 900 and 1500. Flanged DN 15, 20, 25 PN40 and 64.
- Screwed 3/4" NPT Male/Female, Spherical unions.
- Other options available.

Item Part list

1	Valve body
2	Bonnet
3A	Handwheel (plain closing)
3B	Double-ended lever (90° operation)
3C	Weighted lever (168° operation)
4	Spindle
5	Valve seat
6	Gland
7	Spindle bush
10	Bonnet joint ring
12	Taper plug
13	Bottom ring
14	Gland packing

Item Part list

16	Bolt
18	Ball check
19	Plate name
20	Washer
21	Nut
25	Union nut
26	Union tailpipe
28	Stud
29	Nut
30	Nipple
31	Union nut
32	Union tailpipe
33	Joint ring

2.4 Materials :

- FS/H body carbon steel ASTM A105, trim stainless steel.
- M Body stainless steel AISI 316L, trim stainless steel.
- Alternative materials on request.

2.5 Drain and vents connections 1/2" NPT standard (3/4" optional).

Further information

For further information, please send an E-mail to the following address: instruments@tc-fluidcontrol.com

The characteristics of the products described on this page may be modified without notice, in the interests of regular improvement. In addition, the technical data reproduced here is provided for information only.