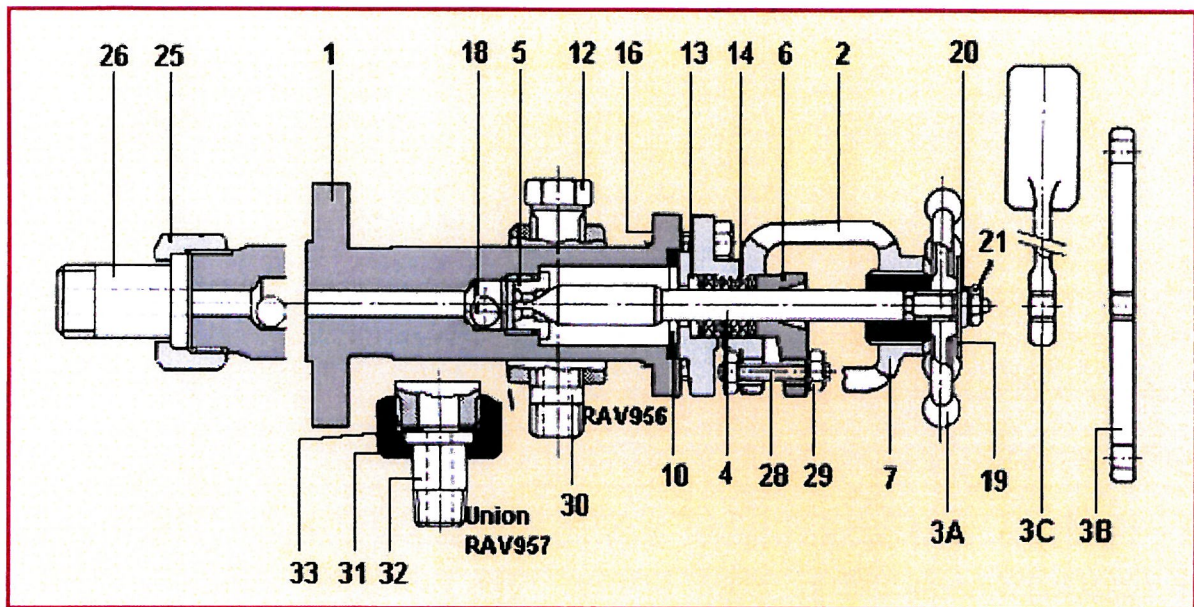


KLINGER Level gauge valves

RAV 956, RAV 957 (Outside screwed)



1 GENERAL

- The RAV shut-off device is a metal seated offset valve with integral safety ball.
- Available in a variety of options.
- Suitable for most process requirements.
- outside screwed.

2 CONSTRUCTION

2.1 Shut-off operation :

- Standard handwheel operation / 1 - Std (ANSI 1500).
- Weighted lever / 2 - 168° (ANSI 900).
- Double ended lever / 3 - 90° (ANSI 900).
- Quick closing handwheel / 5 - 168° (ANSI 900)

2.2 Gauge connection :

Union, spherical union or plain nipple to gauge, 1/2" standard (3/4" optional).

2.3 Vessel connections :

- Flanged 1/2", 3/4", 1" ANSI Class 150, 300, 600, 900 and 1500. Flanged DN 15, 20, 25 PN40 and 64.
- Screwed 3/4" NPT Male/Female, Spherical unions.
- Other options available.

Item Part list

- 1 Valve body
- 2 Bonnet
- 3A Handwheel (plain closing)
- 3B Double-ended lever (90° operation)
- 3C Weighted lever (168° operation)
- 4 Spindle
- 5 Valve seat
- 6 Gland
- 7 Bonnet flange
- 10 Bonnet joint ring
- 11 Gland nut
- 12 Taper plug
- 13 Bottom ring
- 14 Gland packing

Item Part list

- 16 Bolt
- 18 Ball-check
- 19 Plate name
- 20 Washer
- 21 Nut
- 25 Union nut
- 26 Union tailpipe
- 28 Stud
- 29 Nut
- 30 Nipple
- 31 Union nut
- 32 Union tailpipe
- 33 Joint ring

2.4 Materials :

- FS/H body carbon steel ASTM A105, trim stainless steel.
- M Body stainless steel AISI 316L, trim stainless steel.
- Alternative materials on request.

2.5 Drain and vents connections 1/2" NPT standard (3/4" optional).

Further information

For further information, please send an E-mail to the following address: instruments@tc-fluidcontrol.com

The characteristics of the products described on this page may be modified without notice, in the interests of regular improvement. In addition, the technical data reproduced here is provided for information only.