

KLINGER REFLEX LIQUID LEVEL GAUGES (Process applications) TYPE R100 ISO PN100 (Class 600)

1 GENERAL

Operating conditions

- PN 100
- Class 600

Applications

Reflex level gauge can be used in great many cases with products clean and not corrosive to glass.

General characteristics

- Carbon steel or stainless steel material,
- Thermally pre-stressed glass
- Graphite high quality gaskets

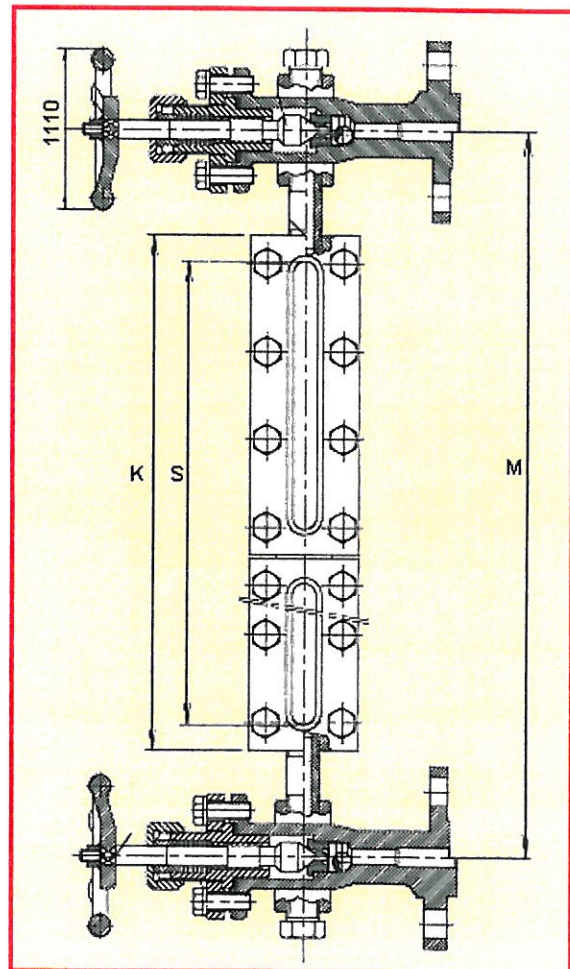
2 MATERIAL

Construction type	Material schedule	Material
Standard	FS/H	All parts in carbon steel
For corrosive products*	M/H	Body and nipple stainless steel 316 or 316L covers and bolting carbon steel
For corrosive ambience*	M	All parts in stainless steel 316 or 316L
For low temperatures from -30°C to -46°C	P	Body and covers A 350 LF2
From -47°C to -160°C	M	All parts in stainless steel 316 or 316L

* Other material (DUPLEX, Nickel Alloys) on request

3 GAUGE VALVES

- The R100 can be isolated with RAV 946, 947, 956, 957 offset valves.
- The RAV shut-off device is a metal seated offset valve with safety ball.
- Available in two main versions :
 - inside screwed (RAV 946 & 947).
 - outside screwed (RAV 956 & 957).
- Available in a variety of connecting and lever options.
- Please refer to RAV data sheet for more information.



Further information

For further information, please send an E-mail to the following address: instruments@tc-fluidcontrol.com

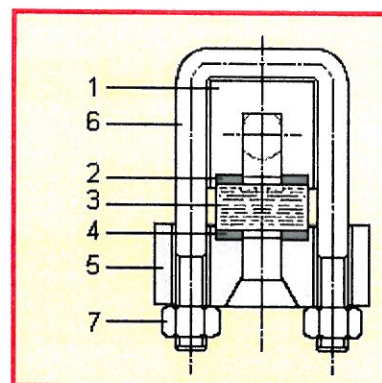
The characteristics of the products described on this page may be modified without notice, in the interests of regular improvement. In addition, the technical data reproduced here is provided for information only.

KLINGER REFLEX LIQUID LEVEL GAUGES (Process applications) TYPE R100 ISO PN100 (Class 600)

4 PART LIST

Part	Materials			
	FS/H	M/H	M	P
1- Body	steel	stainless steel 316	stainless steel 316	A 350 LF2
2- Sealing gasket	Graphite	Graphite	Graphite	Graphite
3- Reflex glass**	glass	glass	glass	glass
4- Cushion gasket	C4430	C4430	C4430	C4430
5- Cover piece	steel	steel	stainless steel 316	A 350 LF2
6- Bolt	steel	steel	stainless steel	L7 steel
7- Nut	steel	steel	stainless steel	Gr.4 steel

** Type B glass : width 34 mm , thickness : 17 mm



5 CENTRE TO CENTRE AND VISIBILITY LENGTHS

This table shows the minimum centre-to-centre lengths for union or nipple connections, and the visible lengths. To meet centre to centre lengths specified, gauges are fitted with adequate nipples or unions.

Type	C to C mini M		Body length K	Visible length S	Approx. Weight without valves kg	Type	C to C mini M		Body length K	Visible length S	Approx. Weight without valves kg
	Male union 1/2"	Nipple 1/2"					Male union 1/2"	Nipple 1/2"			
11	265	220	128	93	3,2	37	1020	975	883	848	21
12	290	245	153	118	3,7	38	1140	1095	1003	968	22,5
13	315	270	178	143	4,2	39	1200	1155	1063	1028	24
14	340	295	203	168	4,6	47	1315	1270	1178	1143	28
15	370	325	233	198	5	48	1475	1430	1338	1303	30
16	400	355	263	228	5,5	49	1555	1510	1418	1383	32
17	420	385	293	258	7	57	1610	1565	1473	1438	35
18	470	425	333	298	7,5	58	1810	1765	1673	1638	38
19	490	445	353	318	8	59	1910	1865	1773	1738	40
24	545	500	408	373	9,3	68	2145	2100	2008	1973	45
25	605	560	468	433	10	69	2265	2220	2128	2093	48
26	665	620	528	493	11	78	2480	2435	2343	2308	53
27	725	680	588	553	14	79	2620	2575	2483	2448	56
28	805	760	668	633	15	88	2815	2770	2678	2643	60
29	845	800	708	673	16	89	2975	2930	2838	2803	64
36	930	885	793	758	17						

Dimension in mm

Further information

For further information, please send an E-mail to the following address: instruments@tc-fluidcontrol.com

The characteristics of the products described on this page may be modified without notice, in the interests of regular improvement. In addition, the technical data reproduced here is provided for information only.