

KLINGER REFLEX LIQUID LEVEL GAUGES (Process applications) TYPE R160 ISO PN160 (Class 900)

1 GENERAL

Operating conditions

- PN 160
- Class 900

Applications

Reflex level gauge can be used in great many cases with products clean and not corrosive to glass.

General characteristics

- Carbon steel or stainless steel material,
- Thermally pre-stressed glass
- Graphite high quality gaskets

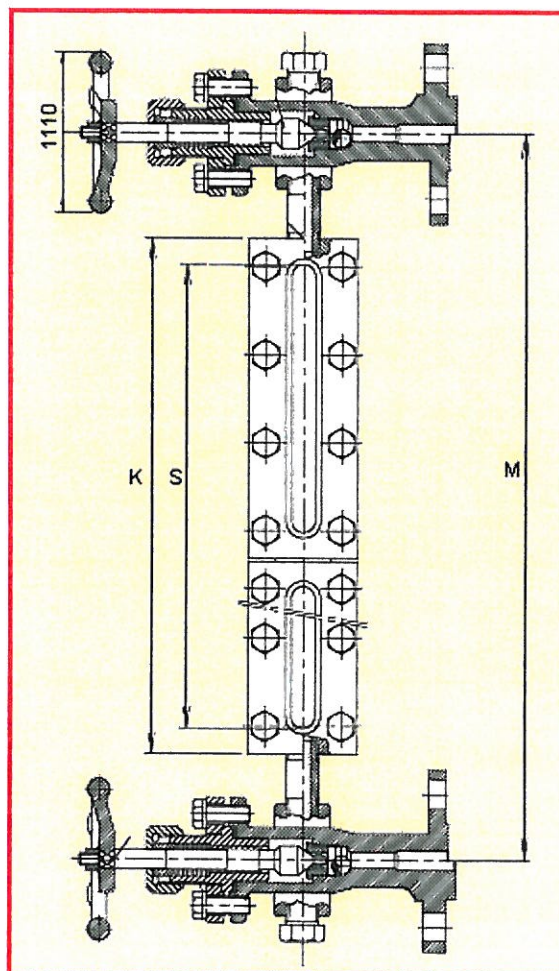
2 MATERIAL

Construction type	Material schedule	Material
Standard	FS/H	All parts in carbon steel
For corrosive products*	M/H	Body and nipple stainless steel 316 or 316L covers and bolting carbon steel
For corrosive ambience*	M	All parts in stainless steel 316 or 316L
For low temperatures from -30°C to -46°C	P	Body and covers A 350 LF2
From -47°C to -160°C	M	All parts in stainless steel 316 or 316L

* Other material (DUPLEX, Nickel Alloys) on request

3 GAUGE VALVES

- The R160 can be isolated with RAV 946, 947, 956, 957 offset valves.
- The RAV shut-off device is a metal seated offset valve with safety ball.
- Available in two main versions :
 - inside screwed (RAV 946 & 947).
 - outside screwed (RAV 956 & 957).
- Available in a variety of connecting and lever options.
- Please refer to RAV data sheet for more information.



Further information

For further information, please send an E-mail to the following address: instruments@tc-fluidcontrol.com

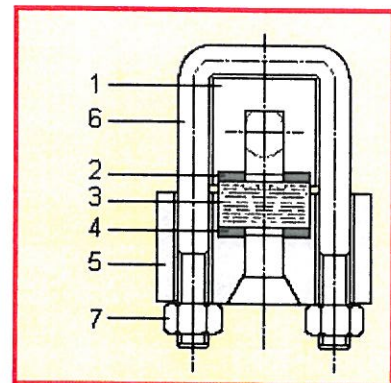
The characteristics of the products described on this page may be modified without notice, in the interests of regular improvement. In addition, the technical data reproduced here is provided for information only.

KLINGER REFLEX LIQUID LEVEL GAUGES (Process applications) TYPE R160 ISO PN160 (Class 900)

4 PART LIST

Part	Materials			
	FS/H	M/H	M	P
1- Body	steel	stainless steel 316	stainless steel 316	A 350 LF2
2- Sealing gasket	Graphite	Graphite	Graphite	Graphite
3- Reflex glass**	glass	glass	glass	glass
4- Cushion gasket	C4430	C4430	C4430	C4430
5- Cover piece	steel	steel	stainless steel 316	A 350 LF2
6- Bolt	steel	steel	stainless steel	L7 steel
7- Nut	steel	steel	stainless steel	Gr.4 steel

** Type B glass : width 34 mm , thickness : 17 mm



5 CENTRE TO CENTRE AND VISIBILITY LENGTHS

This table shows the minimum centre-to-centre lengths for union or nipple connections, and the visible lengths. To meet centre to centre lengths specified, gauges are fitted with adequate nipples or unions.

Type	C to C mini M		Body length K	Visible length S	Approx. Weight without valves kg	Type	C to C mini M		Body length K	Visible length S	Approx. Weight without valves kg
	Male union 1/2"	Nipple 1/2"					Male union 1/2"	Nipple 1/2"			
11	265	220	128	93	5.7	37	1020	975	883	848	33
12	290	245	153	118	6.7	38	1140	1095	1003	968	38
13	315	270	178	143	7.3	39	1200	1155	1063	1028	41
14	340	295	203	168	8.5	47	1315	1270	1178	1143	45
15	370	325	233	198	9.5	48	1475	1430	1338	1303	51
16	400	355	263	228	10.5	49	1555	1510	1418	1383	55
17	420	385	293	258	11	57	1610	1565	1473	1438	57
18	470	425	333	298	12.5	58	1810	1765	1673	1638	64
19	490	445	353	318	13.5	59	1910	1865	1773	1738	69
24	545	500	408	373	17	68	2145	2100	2008	1973	76
25	605	560	468	433	19	69	2265	2220	2128	2093	83
26	665	620	528	493	21	78	2480	2435	2343	2308	89
27	725	680	588	553	22	79	2620	2575	2483	2448	97
28	805	760	668	633	25	88	2815	2770	2678	2643	101
29	845	800	708	673	27	89	2975	2930	2838	2803	111
36	930	885	793	758	32						

Dimension in mm

Further information

For further information, please send an E-mail to the following address: instruments@tc-fluidcontrol.com

The characteristics of the products described on this page may be modified without notice, in the interests of regular improvement. In addition, the technical data reproduced here is provided for information only.