

## KLINGER REFLEX LIQUID LEVEL GAUGES (Process applications) TYPE R250 ISO PN250 (Class 1500)

### 1 GENERAL

#### Operating conditions

- PN250
- Class 1500

#### Applications

Reflex level gauge can be used in great many cases with products clean and not corrosive to glass.

#### General characteristics

- Carbon steel or stainless steel material,
- Thermally pre-stressed glass
- Graphite high quality gaskets

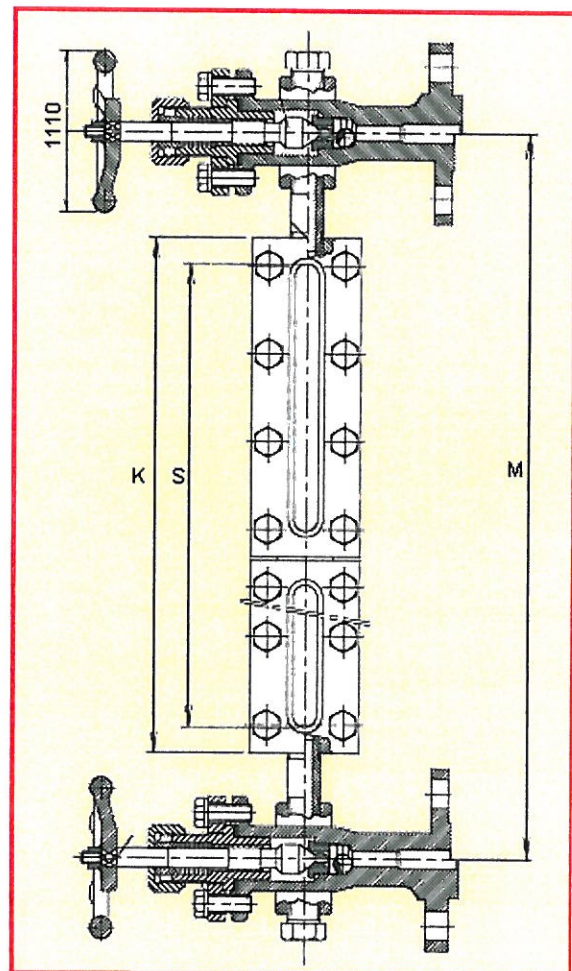
### 2 MATERIAL

Construction type	Material schedule	Material
Standard	FS/H	All parts in carbon steel
For corrosive products*	M/H	Body and nipple stainless steel 316 or 316L covers and bolting carbon steel
For corrosive ambiance*	M	All parts in stainless steel 316 or 316L
For low temperatures from -30°C to -46°C	P	Body and covers A 350 LF2
From -47°C to -160°C	M	All parts in stainless steel 316 or 316L

\* Other material (DUPLEX, Nickel Alloys) on request

### 3 GAUGE VALVES

- The R250 can be isolated with RAV 946, 947, 956, 957 offset valves.
- The RAV shut-off device is a metal seated offset valve with safety ball.
- Available in two main versions :
  - inside screwed (RAV 946 & 947).
  - outside screwed (RAV 956 & 957).
- Available in a variety of connecting and lever options.
- Please refer to RAV data sheet for more information.



### Further information

For further information, please send an E-mail to the following address: [instruments@tc-fluidcontrol.com](mailto:instruments@tc-fluidcontrol.com)

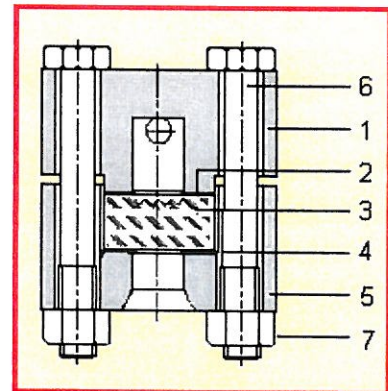
The characteristics of the products described on this page may be modified without notice, in the interests of regular improvement. In addition, the technical data reproduced here is provided for information only.

## KLINGER REFLEX LIQUID LEVEL GAUGES (Process applications) TYPE R250 ISO PN250 (Class 1500)

### 4 PART LIST

Part	Materials			
	FS/H	M/H	M	P
1- Body	steel	stainless steel 316	stainless steel 316	A 350 LF2
2- Sealing gasket	Graphite	Graphite	Graphite	Graphite
3- Glass**	glass	glass	glass	glass
4- Cushion gasket	C4430	C4430	C4430	C4430
5- Cover piece	steel	steel	stainless steel 316	A 350 LF2
6- Bolt	steel	steel	stainless steel	L7 steel
7- Nut	steel	steel	stainless steel	Gr.4 steel

\*\* Type B glass : width 34 mm , thickness : 17 mm



### 5 CENTRE TO CENTRE AND VISIBILITY LENGTHS

This table shows the minimum centre-to-centre lengths for union or nipple connections, and the visible lengths. To meet centre to centre lengths specified, gauges are fitted with adequate nipples or unions.

Type	C to C mini M		Body length K	Type	C to C mini M		Body length K
	Male union 1/2"	Nipple 1/2"			Male union 1/2"	Nipple 1/2"	
11	265	220	128	37	1020	975	883
12	290	245	153	38	1140	1095	1003
13	315	270	178	39	1200	1155	1063
14	340	295	203	47	1315	1270	1178
15	370	325	233	48	1475	1430	1338
16	400	355	263	49	1555	1510	1418
17	420	385	293	57	1610	1565	1473
18	470	425	333	58	1810	1765	1673
19	490	445	353	59	1910	1865	1773
24	545	500	408	68	2145	2100	2008
25	605	560	468	69	2265	2220	2128
26	665	620	528	78	2480	2435	2343
27	725	680	588	79	2620	2575	2483
28	805	760	668	88	2815	2770	2678
29	845	800	708	89	2975	2930	2838
36	930	885	793				

Dimension in mm

### Further information

For further information, please send an E-mail to the following address: [instruments@tc-fluidcontrol.com](mailto:instruments@tc-fluidcontrol.com)

The characteristics of the products described on this page may be modified without notice, in the interests of regular improvement. In addition, the technical data reproduced here is provided for information only.